

**EN 795 class B
TS16415 class B**

Reference
number:

FSB

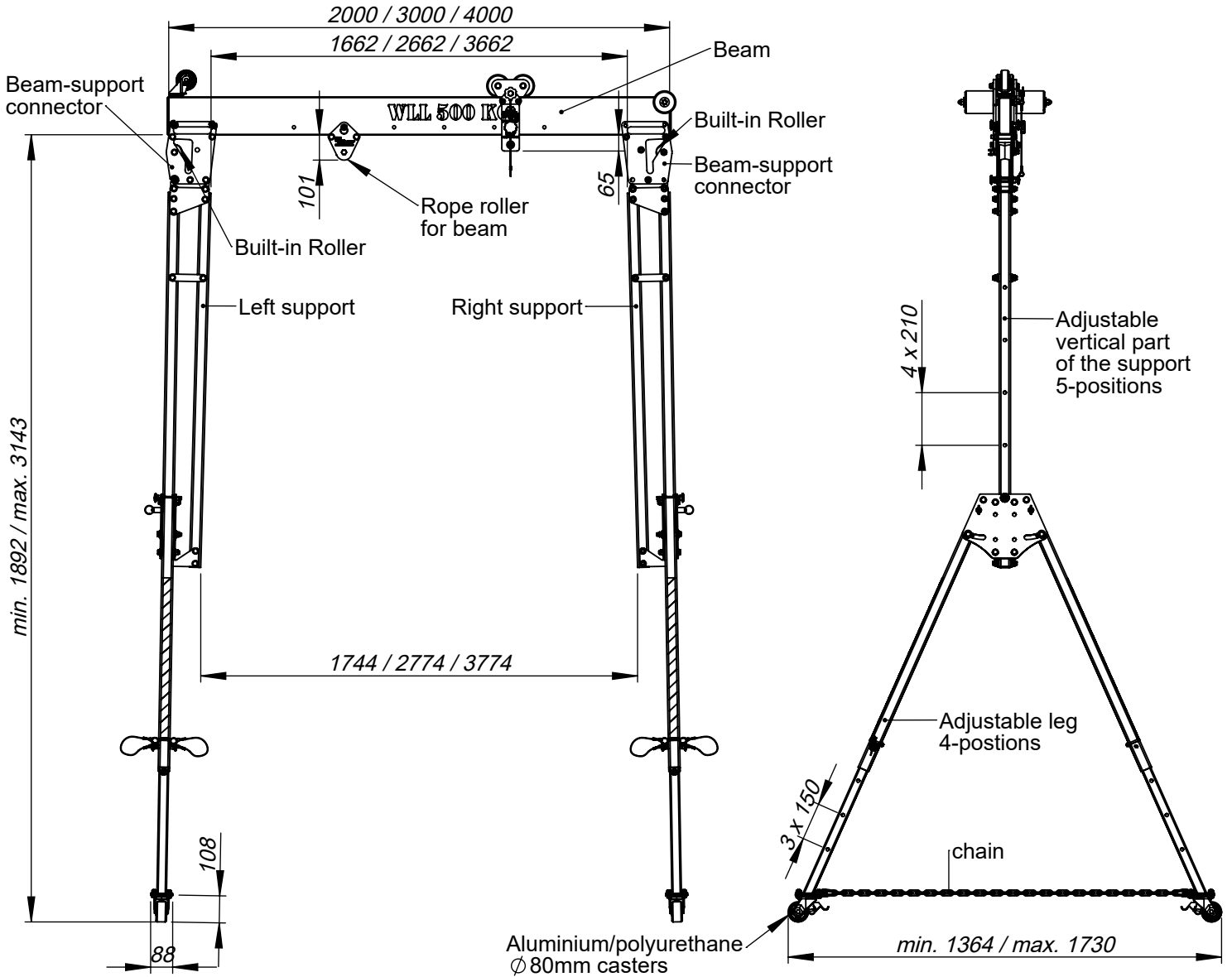
**READ CAREFULLY BEFORE
USE THE EQUIPMENT**

DESCRIPTION

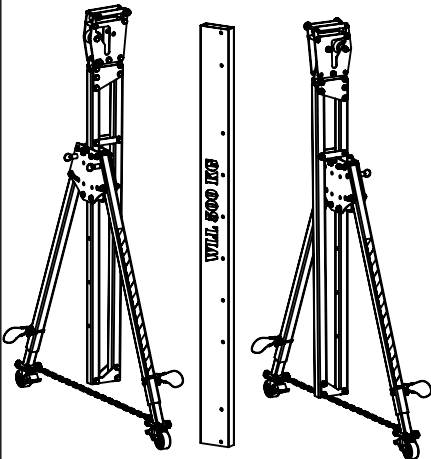
FSB device is lightweight, foldable compact crane with fully detachable supports (frames). FSB device consist of aluminium, powder-painted or anodised parts:

- a) one beam,
- b) two fully detachable beam-support connectors (equipped with roller for winch rope guidance)
- c) two supports (frames) connected with beam-support connectors (which can be rotated between each other with a limited range).

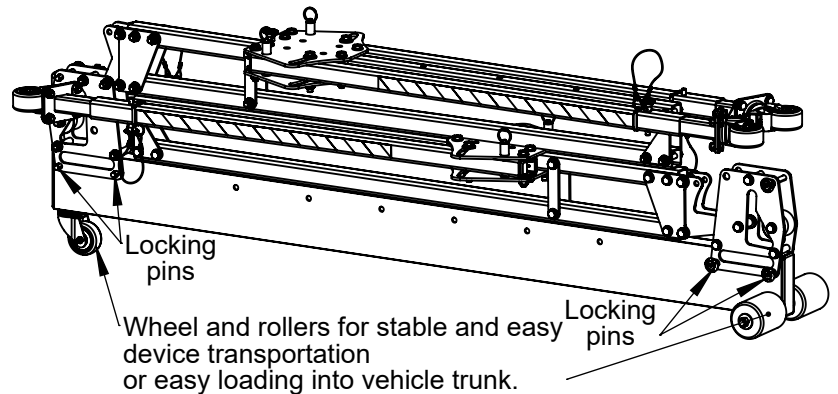
FSB device can be used for lifting loads up to 500kg (indicated on the beam) or for personal protection up to two people at the same time or for personal rescue operations using RUP502 / CRW200 rescue lifting device (up to 140kg).



FSB - three separate parts...



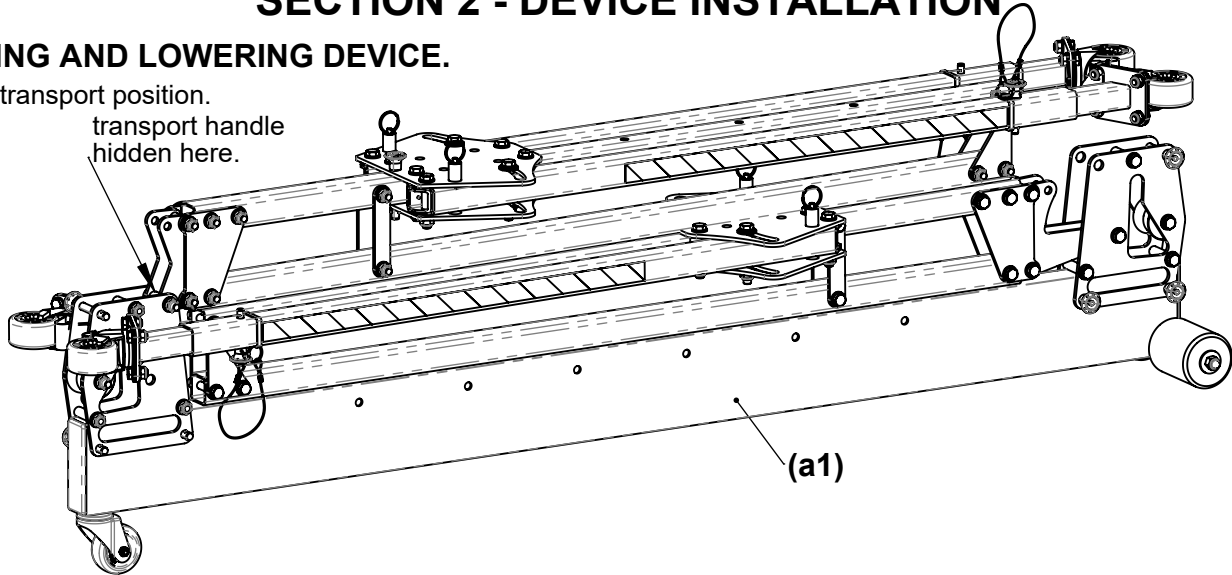
...which can be connected together for easy transport and storage...



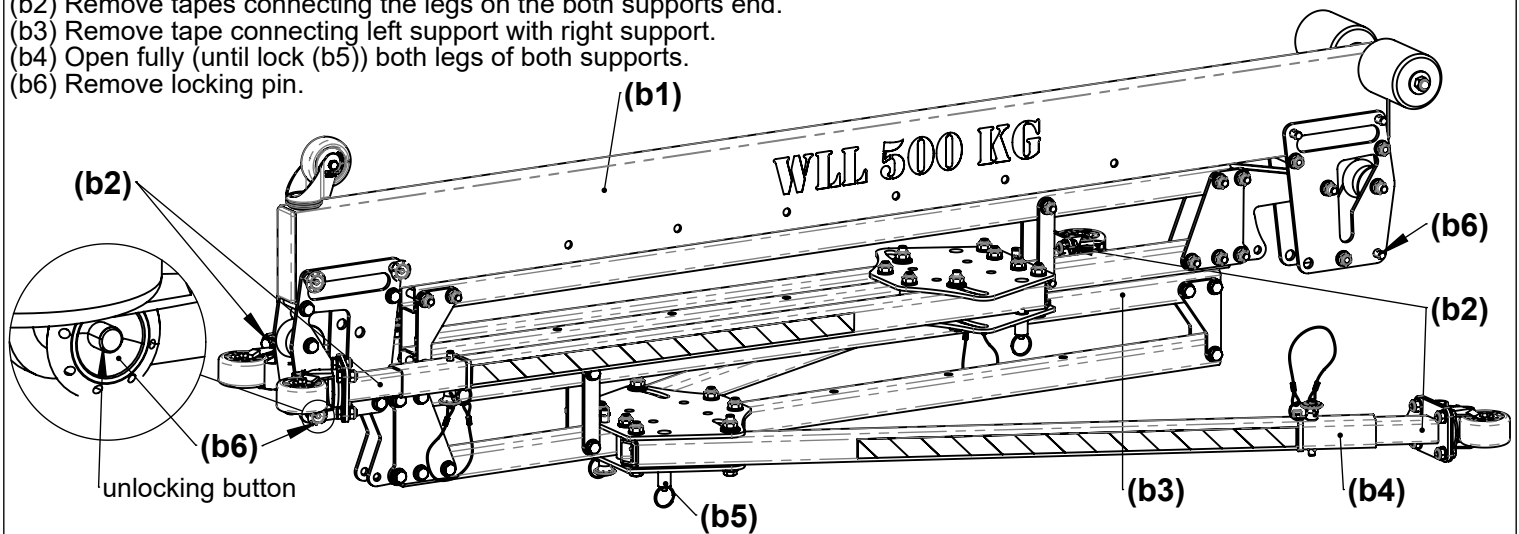
SECTION 2 - DEVICE INSTALLATION

1. RAISING AND LOWERING DEVICE.

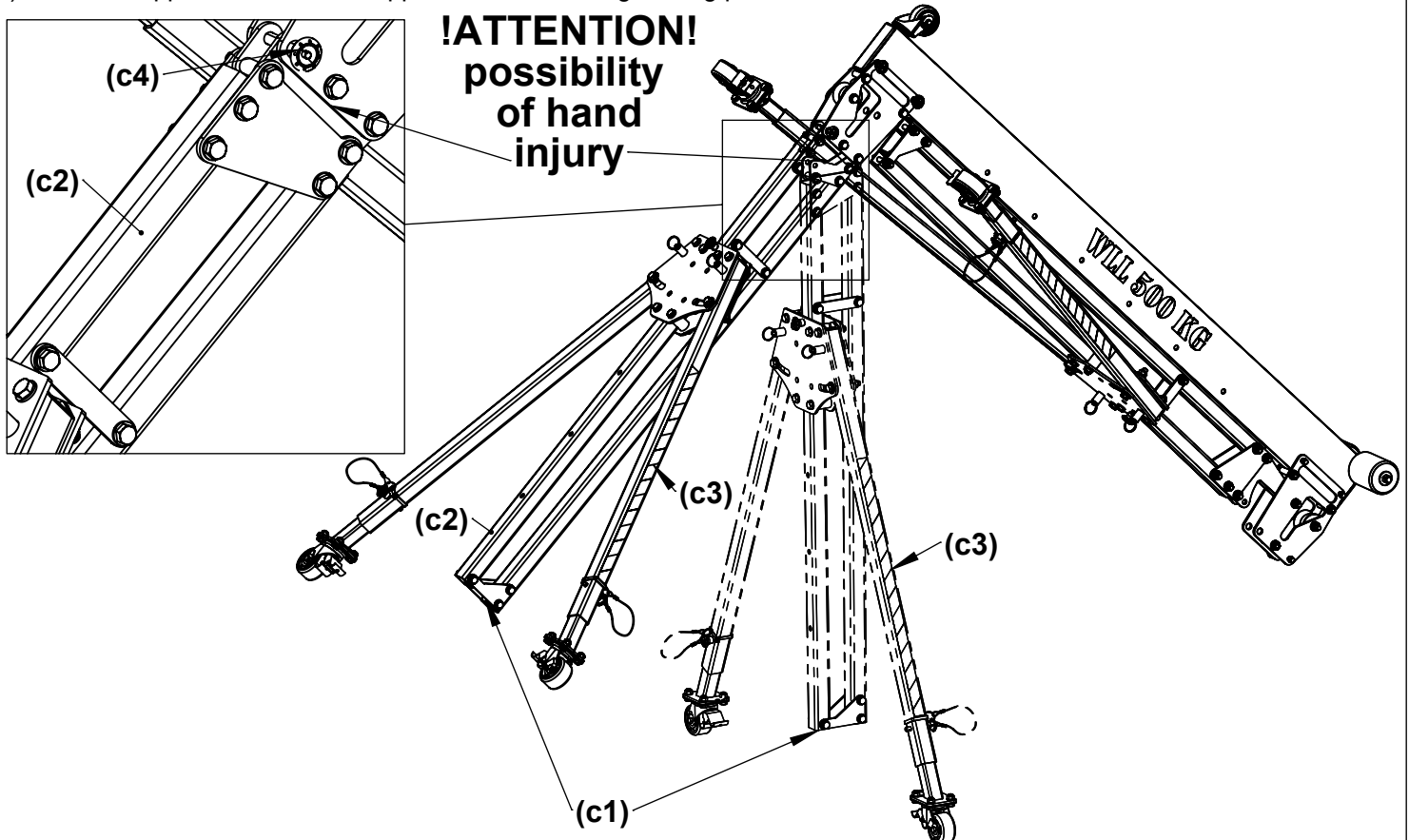
(a1) FSB transport position.



- (b1) Rotate the device so that the beam is at the top.
- (b2) Remove tapes connecting the legs on the both supports end.
- (b3) Remove tape connecting left support with right support.
- (b4) Open fully (until lock (b5)) both legs of both supports.
- (b6) Remove locking pin.



- (c1) Start raising left support grabbing vertical part of the support (c2) and one of the open and locked legs (c3).
- (c4) Lock left support to the beam-support connector using locking pin.

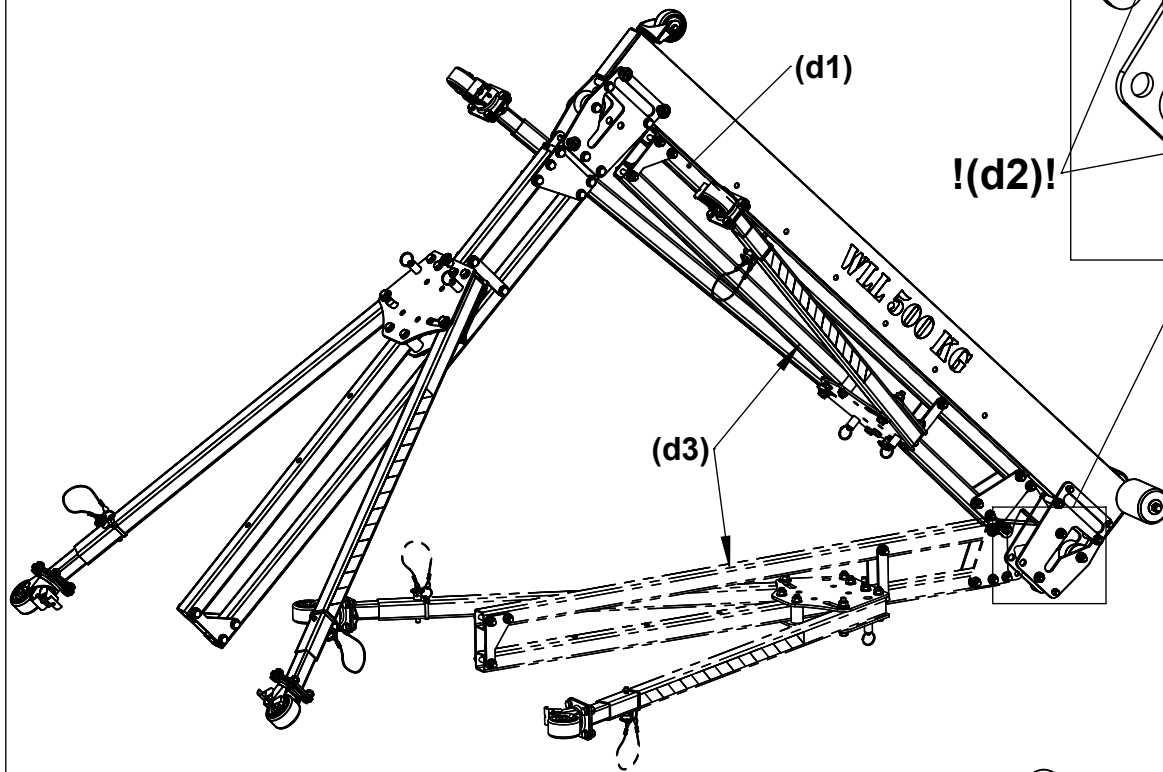


(d1) Remove tape connecting right support with beam and hold the support.

(d2) Do not hold hand on beam-support connector!

(d3) Rise up right support grabbin the same parts as before.

(d4) Lock right support to the beam-support connector using locking pin.



2. HEIGHT ADJUSTMENT

